

SR575M



Display size  
**32"-75"**



Max load  
**150lb (68.2kg)**  
display  
**10lb (4.55kg)**  
per shelf

**SMARTMOUNT.**

# Full Featured Flat Panel Cart

FOR 32" TO 75" DISPLAYS

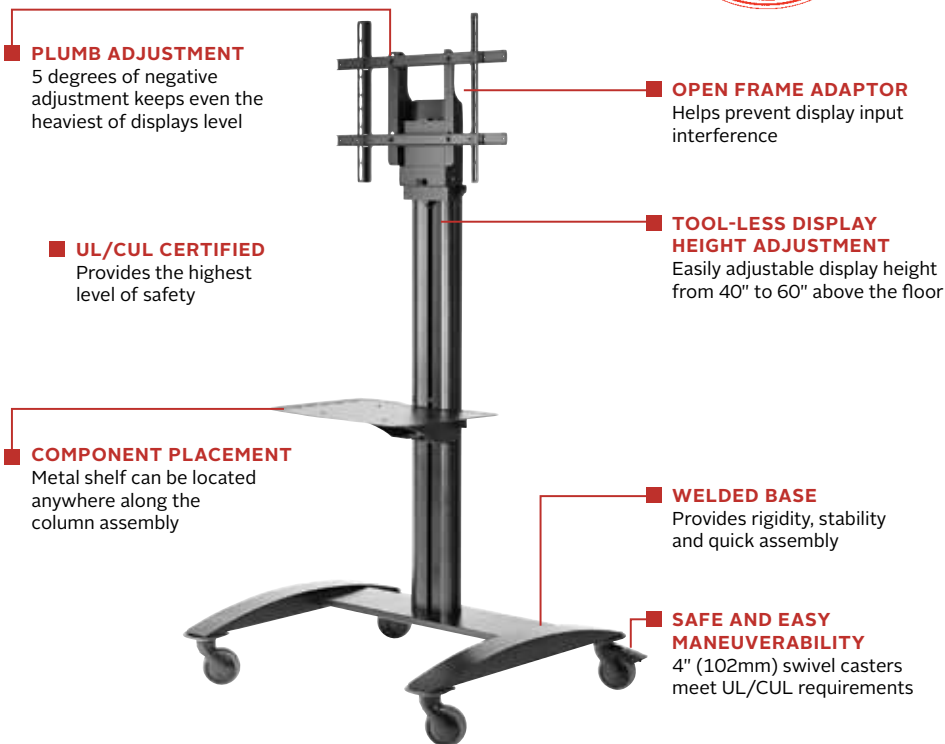
The SR575M SmartMount® Full Featured Flat Panel Cart takes our standard cart to the next level, making everyday usage more enjoyable. Height adjustment of the display and component shelf can be made without the removal of the display by simply repositioning to your desired height and the fear of damaging doorways and walls has been averted by non-marring bumpers on each corner of the cart allowing even easier mobility from room to room while the UL® certification ensures you that it can be done with safety in mind.

*The SR575M cart has been built with tool-less height adjustment, helping you find the perfect viewing height for your display.*



## Additional Features

- ✓ 20" of tool-less height adjustment places the center of the display anywhere from 40" to 60" above the ground
- ✓ Integrated cable management protects, contains and conceals cables for a clean, professional installation
- ✓ Maneuvers easily on 4" (102mm) swivel casters, two locking
- ✓ Pre-assembled base provides rigidity, stability and quick assembly
- ✓ Textured black powder coat finish helps to hide finger prints and dust
- ✓ Open frame display adaptor helps prevent display input interference
- ✓ Shelf can be positioned anywhere along the column by simply lifting and repositioning
- ✓ Universal display adaptor fits mounting patterns from 200 x 200mm to 600 x 400mm and allows mounting in landscape or portrait orientation



Cable management allows cables to enter or exit anywhere along the column



Corner bumpers protect walls and doorways from damage



SR575M SmartMount® Full Featured Flat Panel Cart for 32" to 75" Displays

**Product Specifications**

	DIMENSIONS (W X H X D)	PRODUCT WEIGHT	LOAD CAPACITY	FINISH	AVAILABLE COLORS
SR575M	35.73" x 68.38" x 30.00" (908 x 1736 x 762mm)	70lb (31.8kg)	150lb (68.2kg) display 10lb (4.55kg) per shelf	Textured Powder Coat	Black

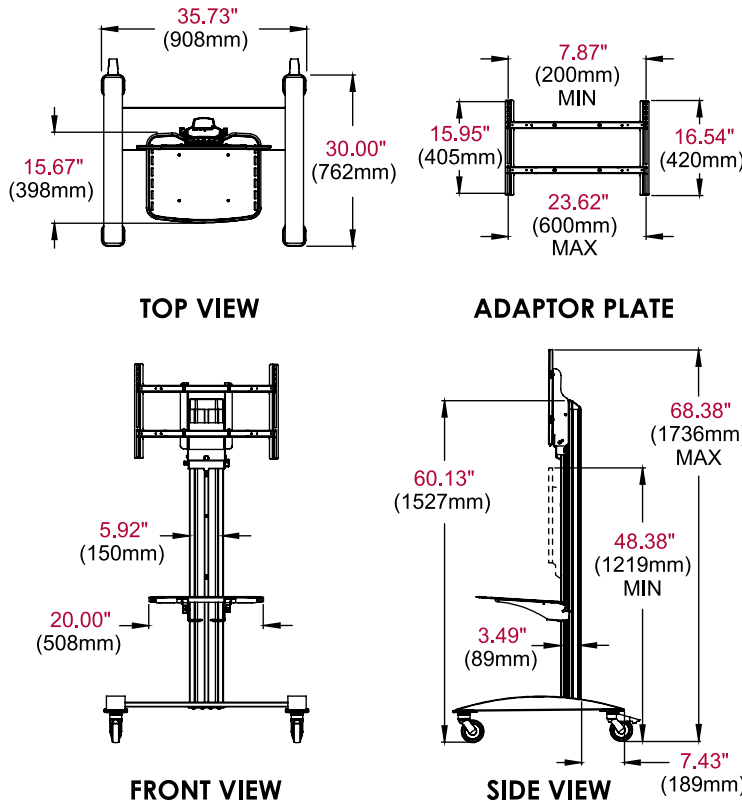
**Package Specifications**

	PACKAGE SIZE (W x H x D)	PACKAGE SHIP WEIGHT	PACKAGE UPC CODE	PACKAGE CONTENTS	UNITS IN PACKAGE
SR575M	47.50" x 7.25" x 38.50" (1207 x 184 x 978mm)	83lb (37.7kg)	735029304265	Assembled base, Aluminum column, Universal display adaptor, Metal component shelf, (2) swivel casters, (2) locking swivel casters, (4) Corner bumpers, hardware & instructions	1

**Accessories**

- ACC310: Feet Accessory
- ACC316: Safety Belt
- ACC320: Electrical Outlet Strip with Cord Wrap
- ACC-GS1: Tempered Glass Shelf
- ACC-LA: Laptop Arm
- ACC-MS: Metal Shelf
- ACC-VCS: Video Conferencing Camera Shelf
- DSX750: Media Player Storage

All dimensions = inch (mm)



**Architect Specifications**

The SmartMount® Full Featured Flat Panel Cart shall be a Peerless-AV model SR575M and shall be located where indicated on the plans. Assembly and installation shall be done according to instructions provided by the manufacturer.

Visit [peerless-av.com](http://peerless-av.com) to see the complete line of AV solutions from Peerless-AV, including outdoor displays, wireless, kiosks, digital audio, display mounts, projector mounts, carts/stands, and a full assortment of accessories.

**Peerless-AV**  
 2300 White Oak Circle  
 Aurora, IL 60502 USA  
**(800) 865-2112**  
**(630) 375-5100**  
**Fax: (800) 359-6500**

**Peerless-AV Europe**  
 Unit 3 Watford Interchange  
 Colonial Way, Watford  
 Herts, WD24 4WP  
 United Kingdom  
**+44 (0) 1923 200100**  
**Fax: +44 (0) 1923 200101**

**Peerless-AV de México**  
 Ave de las Industrias 413  
 Parque Industrial Escobedo  
 Escobedo, N.L.,  
 Mexico 66050  
**+52 (81) 8384-8300**  
**Fax: +52 (81) 8384-8360**

